



Vestil Manufacturing Corp.

2999 North Wayne Street, P.O. Box 507, Angola, IN 46703

Telephone: (260) 665-7586 -or- Toll Free (800) 348-0868

Fax: (260) 665-1339

Web: www.vestilmfg.com e-mail: info@vestil.com

Cylinder Dollies: CYL-D-1-PN; CYL-D-1-HR; CLY-DLX-1-PN; CYL-DLX-1-HR Instruction Manual



CYL-D-1-PN



CYL-DLX-1-HR

Receiving instructions

After delivery, remove the packaging from the product. Inspect the product closely to determine whether it sustained damage during transport. If damage is discovered, record a complete description of it on the bill of lading. If the product is undamaged, discard the packaging.

Replacement Parts and Technical Service

For answers to questions not addressed in these instructions and to order replacement parts, labels, and accessories, call our Technical Service and Parts Department at (260) 665-7586. The department can also be contacted online at http://www.vestilmfg.com/parts_info.htm.

NOTE: The end-user is solely responsible for confirming that product design, use, and maintenance comply with laws, regulations, codes, and mandatory standards applied where the product is used.

Table of Contents

Signal Words.....	2
Hazards.....	2
CYL-D-1-PN & CYL-D-1-HR Specifications and Exploded View & Bill of Materials.....	3
CYL-DLX-1-PN & CYL-DLX-1-HR Specifications and Exploded View & Bill of Materials.....	4
Using the Dolly.....	5
Inspections & Maintenance.....	5
Labeling Diagram.....	5
Limited Warranty.....	6

Signal Words

This manual uses SIGNAL WORDS to draw attention to uses of the product that could result in personal injuries, as well as the probable seriousness of those injuries. Other signal words call attention to uses likely to cause property damage. Signal words used in this manual appear below along with the definition of each word.



Identifies a hazardous situation which, if not avoided, WILL result in DEATH or SERIOUS INJURY. Use of this signal word is limited to the most extreme situations.



Identifies a hazardous situation which, if not avoided, COULD result in DEATH or SERIOUS INJURY.



Indicates a hazardous situation which, if not avoided, COULD result in MINOR or MODERATE injury.



Identifies practices likely to result in product/property damage, such as operation that might damage the product.

Hazards

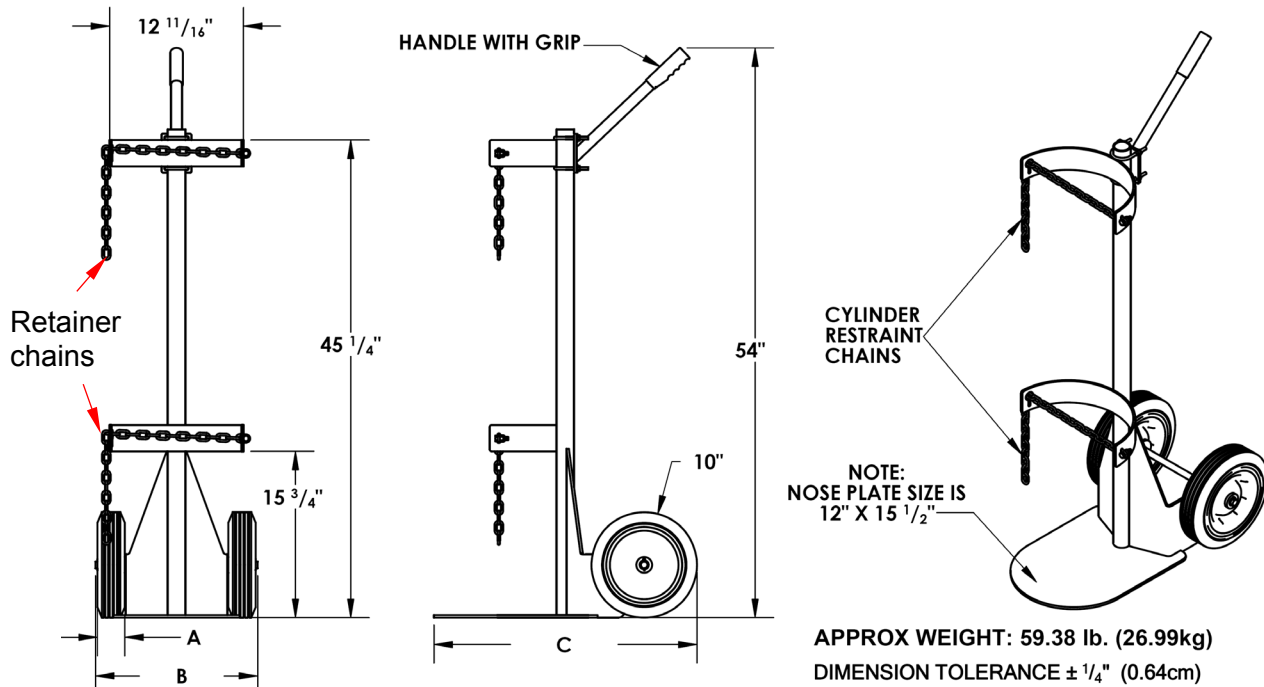
We strive to identify foreseeable hazards associated with the use of our products. However, material handling is dangerous. No manual can address every risk. Ultimately, the most effective means for preventing injury is for the end-user to apply sound judgment whenever using this product.



Serious personal injuries and/or death could result if this product is used improperly or carelessly.

- Read and understand the entire manual before assembling, installing, using or servicing the product.
 - This manual should be accessible to every person who uses the dolly.
 - Read the manual to refresh your understanding of proper use and maintenance procedures whenever necessary.
 - DO NOT exceed the capacity (500 lb.; 227.3 kg).
 - Inspect the dolly as suggested in [Inspections & Maintenance](#) on p. 5. If the inspection reveals problems with the dolly, DO NOT use the product until it is restored to normal condition. ONLY use manufacturer-approved replacement parts. Contact [Technical Service](#) department to discuss questions about the condition of your dolly.
 - DO NOT use the dolly to transport any cylinder that does not seat securely in the retainers.
 - DO NOT transport a cylinder without using the retainer chains. Wrap the chains around the cylinder. Secure the chains in the latch slots without slack.
 - When transporting a cylinder up-or-downhill, always remain uphill to the cylinder. Only move the dolly across sloped terrain if you can easily control it.
 - DO NOT remove or cover any label. Every label must be easily readable. See [Labeling diagram](#) on p. 5.
 - DO NOT modify the dolly in any way without first acquiring express, written approval from Vestil.
- Unapproved modifications automatically void the [Limited Warranty](#) on p. 6 and could make the dolly unsafe to use.**

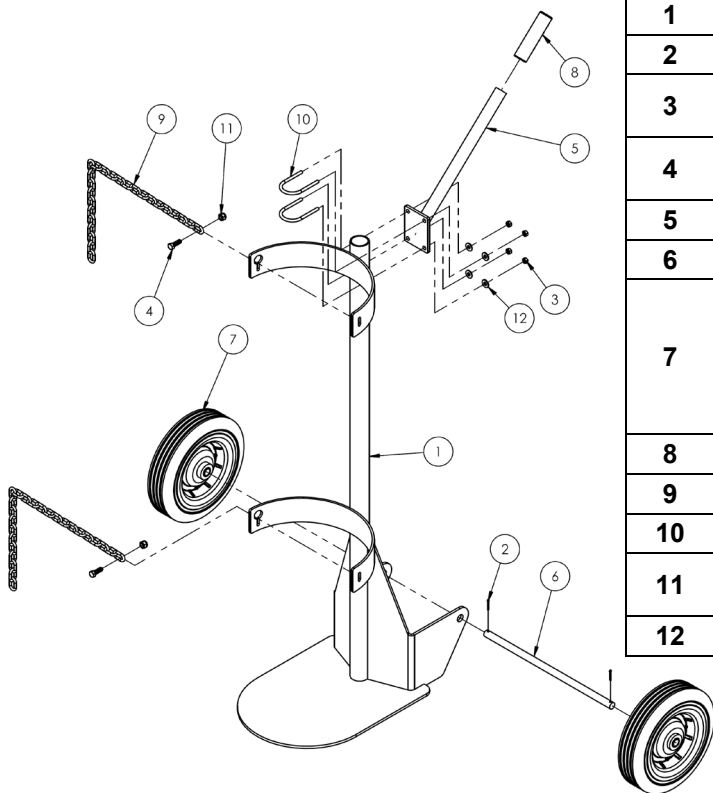
CYL-D-1-PN & CYL-D-1-HR Exploded View & Bill of Materials



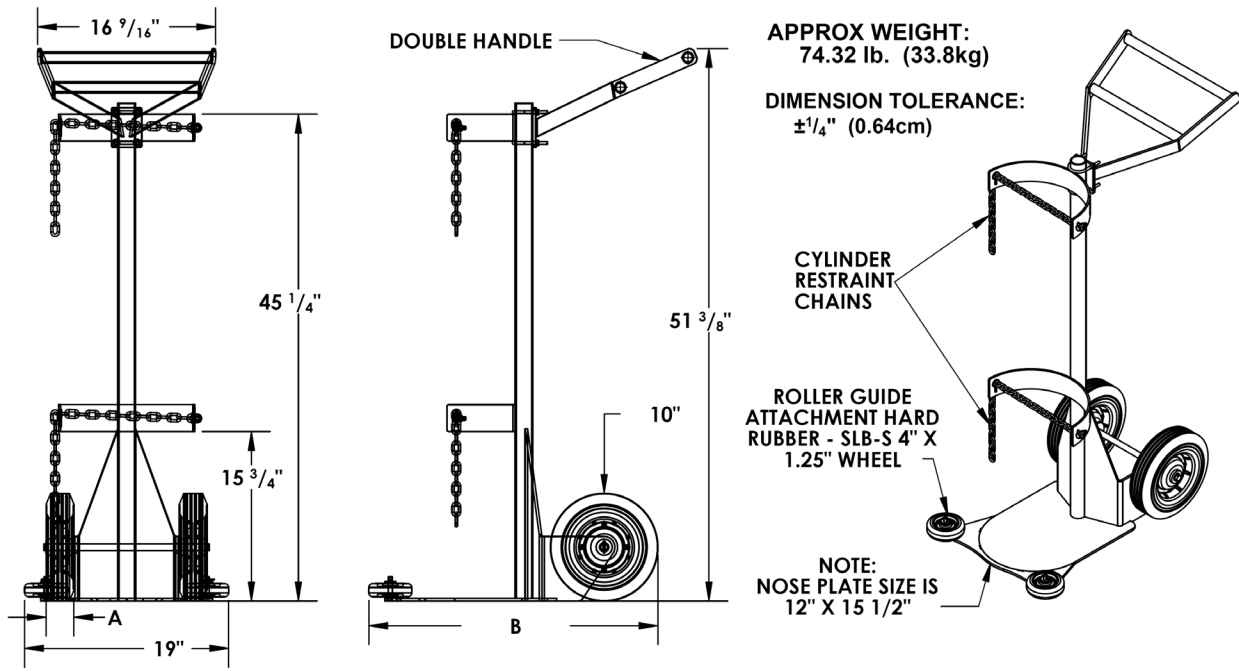
Model	A	B	C	Net weight	Capacity
CYL-D-1-PN	3 1/2" 8.9 cm	16 5/8" 42.2 cm	25 1/16" 63.7 cm	55.11 lb. 25.1 kg	500 lb. 227.3 kg
CYL-D-1-HR	2 1/2" 6.4 cm	15 3/8" 39.1 cm	24 15/16" 63.3 cm	59.34 lb. 27.0 kg	500 lb. 227.3 kg

NOTE: Tolerance for all dimensions ±0.25" (±0.64 cm).

Item	Part no.	Description	Qty.
1	16-514-139	Weldment, gusset, base	1
2	65026	Cotter pin, z-plated, 5/64"x1"	2
3	37018	Nylon lock nut, gr. 2, zinc finish, 1/4"-20	4
4	11005	Bolt, 1/4"-20UNCx1", HHCS #2, z-plated	2
5	16-525-021	Weldment, single bar, handle	1
6	16-112-019	Axle, BFSJ-KIT-A8.625	1
7	16-132-276	Wheel: CYL-D-1-PN: 10" x 3 1/2" pneumatic, for 5/8" axle	2
	16-132-310	CYL-D-1-HR: 10" x 2 1/2" hard rubber, 16mm steel hub	2
8	13-025-023	Handle grip, 1 1/8" I.D., red	1
9	99-145-031	3/16" chain 24" long	2
10	42022	Bolt, U-bolt, 1/4"-20 for 1 1/4" pipe	2
11	37021	Nylon insert lock nut, gr. 2, zinc finish, 5/16"-18	2
12	33004	Flat washer, USS, z-plated, 1/4"	4



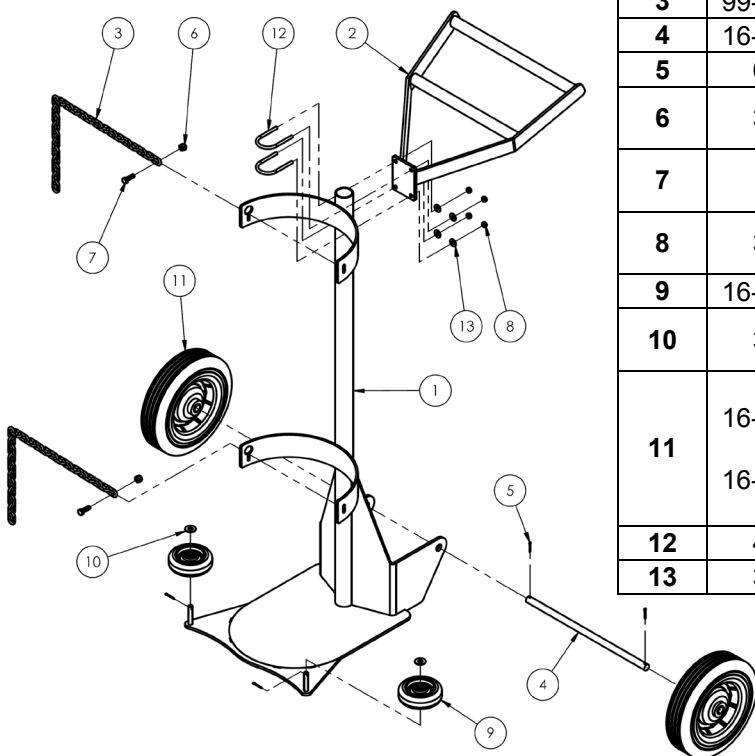
CYL-DLX-1-PN & CYL-DLX-1-HR Exploded View & Bill of Materials



Model	A	B	Net weight	Capacity
CYL-DLX-1-PN	3 ¹ / ₂ " 8.9 cm	27 ¹ / ₁₆ " 68.7 cm	70.04 lb. 31.8 kg	500 lb. 227.3 kg
CYL-DLX-1-HR	2 ¹ / ₂ " 6.4 cm	26 ¹⁵ / ₁₆ " 68.4 cm	74.32 lb. 33.8 kg	500 lb. 227.3 kg

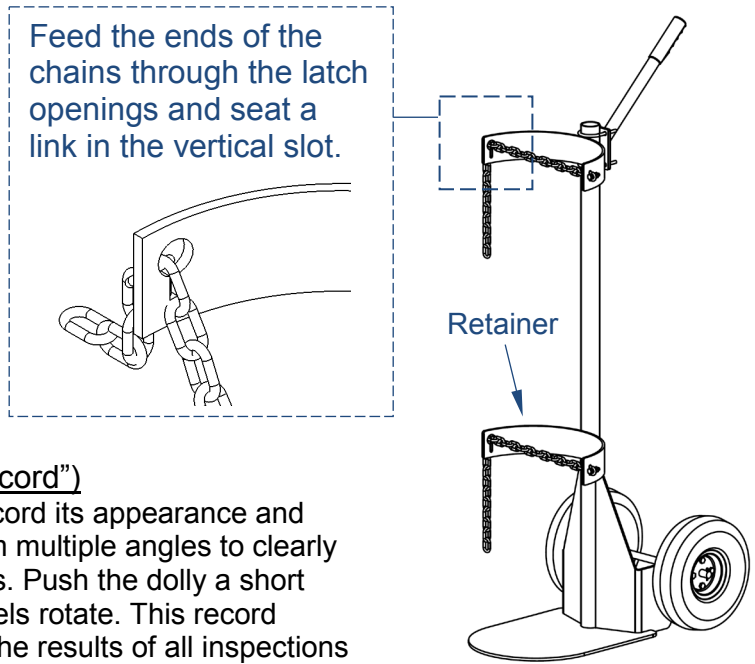
NOTE: Tolerance for all dimensions ±0.25" (±0.64 cm).

Item	Part no.	Description	Qty.
1	16-514-316	Weldment, frame	1
2	16-525-022	Weldment, single bar, handle	1
3	99-145-031	³ / ₁₆ " chain 24" long	2
4	16-112-019	Axle, BFSJ-KIT-A8.625	1
5	65026	Cotter pin, z-plated, ⁵ / ₆₄ "x1"	4
6	37021	Nylon lock nut, gr. 2, zinc finish, ⁵ / ₁₆ "-18	2
7	11055	Hex bolt, gr. A, zinc plated ⁵ / ₁₆ "-18 x1"	2
8	37018	Nylon lock nut, gr. 2, zinc finish, ¹ / ₄ "-20	4
9	16-132-009	PP-4/1.25-W	2
10	33008	Flat washer, low carbon, USS, zinc plated, ³ / ₈ "	2
11	16-132-276	Wheel: CYL-D-1-PN: 10" x 3 ¹ / ₂ " pneumatic, for ⁵ / ₈ " axle	2
	16-132-310	CYL-D-1-HR: 10" x 2 ¹ / ₂ " hard rubber, 16mm steel hub	2
12	42022	Bolt, U-bolt, ¹ / ₄ "-20 for 1 ¹ / ₄ " pipe	2
13	33004	Flat washer, USS, zinc plated, ¹ / ₄ "	4



Using the dolly

1. Put a cylinder on the cart. Position the cylinder so that it seats firmly against both retainers.
2. Wrap the chains around the cylinder with no slack.
3. Feed the free ends of the chains through the latch openings in the retainers.
4. Seat a link of each chain in the vertical slot.
5. Carefully push the dolly to the necessary location. Do not traverse sloped ground unless you are able to easily control the dolly.



Record of Satisfactory Condition (the “Record”)

Before using the dolly for the first time, record its appearance and function. Thoroughly photograph the unit from multiple angles to clearly show all welds, wheels, fasteners, and chains. Push the dolly a short distance. Describe how it sounds as the wheels rotate. This record establishes satisfactory condition. Compare the results of all inspections to this record.

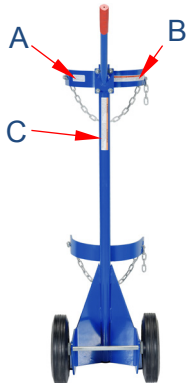
Inspections and Maintenance

Inspect the dolly at least once per month. Compare your observations to the Record to determine if the dolly is in satisfactory condition. If the inspection reveals problems, do not use the dolly until it is restored to satisfactory condition. If you are uncertain whether the dolly requires repair or replacement parts, contact *Technical Service* for assistance.

- Examine the dolly for cracked welds, metal fatigue, rust, and corrosion that affects the structural integrity of the dolly.
- Inspect the cylinder brackets. Each bracket should be solidly welded to the upright frame.
- Check the hardware that fastens the handle to the frame. The connection should not be loose. Tighten the fasteners if necessary.
- Check the overall structure of the dolly. The frame should be rigid and square.

Labeling diagram

The unit should be labeled as shown in the diagram. However, label content and location are subject to change so your product might not be labeled exactly as shown. Thoroughly photograph the unit when you first receive it as discussed in the *Record of Satisfactory Condition* section of this manual. Make sure that your Record includes a photograph of each label. Modify this diagram, if necessary, to indicate labeling actually applied. Replace all labels that are, damaged, missing, or not easily readable (e.g. faded). Contact the *Parts Department* online at http://www.vestilmfg.com/parts_info.htm to order *replacement labels*. You may also call (260) 665-7586 and ask the operator to connect you to the *Parts Department*.



A: Label 287

MODEL/MODÉLO/MOÐELE	
STATIC CAPACITY (evenly distributed)	_____ lbs.
LA CAPACIDAD CONSTANTE (distribuida uniformemente)	_____ kgs.
CAPACITÉ STATIQUE (distribuée régulièrement)	_____ kgs.
SERIAL/SERIE/SÉRIE	

287 REV 0812

B: Label 286

⚠ WARNING	⚠ ADVERTENCIA
ONLY use to transport cylinders; DO NOT use as a storage device. Secure cylinder to dolly with all restraints For your safety, read all warnings on the cylinder	SOLO use para transportar cilindros NO USE como dispositivo de almacenaje Asegure el cilindro a la plataforma con todas las correas Para su seguridad, lea todas las advertencias en el cilindro

C: Label 658

⚠ WARNING	⚠ ADVERTENCIA	⚠ AVERTISSEMENT
Do not operate or move with unstable loads DO NOT LOAD beyond rated capacity DISTRIBUTE LOAD EVENLY DO NOT sit or ride	No use a mueva con cargas inestables No cargue mas de la capacidad tasada DISTRIBUYA LA CARGA A NIVEL NO SE SIENTE o vaya en el carro	Ne pas utiliser avec une charge instable NE PAS CHARGER au-delà du débit nominale DISTRIBUER la charge régulièrement NE PAS VOUS ASSEoir OU VOUS PROMENER sur le chariot

LIMITED WARRANTY

Vestil Manufacturing Corporation (“Vestil”) warrants this product to be free of defects in material and workmanship during the warranty period. Our warranty obligation is to provide a replacement for a defective, original part covered by the warranty after we receive a proper request from the Warrantee (you) for warranty service.

Who may request service?

Only a warrantee may request service. You are a warrantee if you purchased the product from Vestil or from an authorized distributor AND Vestil has been fully paid.

Definition of “original part”?

An original part is a part used to make the product as shipped to the Warrantee.

What is a “proper request”?

A request for warranty service is proper if Vestil receives: 1) a photocopy of the Customer Invoice that displays the shipping date; AND 2) a written request for warranty service including your name and phone number. Send requests by one of the following methods:

<u>US Mail</u>	<u>Fax</u>	<u>Email</u>
Vestil Manufacturing Corporation 2999 North Wayne Street, PO Box 507 Angola, IN 46703	(260) 665-1339 <u>Phone</u> (260) 665-7586	info@vestil.com Enter “Warranty service request” in subject field.

In the written request, list the parts believed to be defective and include the address where replacements should be delivered. After Vestil receives your request for warranty service, an authorized representative will contact you to determine whether your claim is covered by the warranty. Before providing warranty service, Vestil will require you to send the entire product, or just the defective part (or parts), to its facility in Angola, IN.

What is covered under the warranty?

The warranty covers defects in the following original, dynamic parts: motors, hydraulic pumps, electronic controllers, switches, and cylinders. It also covers defects in original parts that wear under normal usage conditions (“wearing parts”), such as bearings, hoses, wheels, seals, brushes, and batteries.

How long is the warranty period?

The warranty period for original dynamic components is 90 days. For wearing parts, the warranty period is 90 days. Both warranty periods begin on the date Vestil ships the product to the Warrantee. If the product was purchased from an authorized distributor, the periods begin when the distributor ships the product. Vestil may, at its sole discretion, extend a warranty period for products shipped from authorized distributors by up to 30 days to account for shipping time.

If a defective part is covered by the warranty, what will Vestil do to correct the problem?

Vestil will provide an appropriate replacement for any *covered* part. An authorized representative of Vestil will contact you to discuss your claim.

What is not covered by the warranty?

The Warrantee (you) are responsible for paying labor costs and freight costs to return the product to Vestil for warranty service.

Events that automatically void the Limited Warranty.

- Misuse;
- Negligent assembly, installation, operation or repair;
- Installation/use in corrosive environments;
- Inadequate or improper maintenance;
- Damage sustained during shipping;
- Collisions or other accidents that damage to the product;
- Unauthorized modifications: Do not modify the product IN ANY WAY without first receiving written authorization from Vestil.

Do any other warranties apply to the product?

Vestil Manufacturing Corp. makes no other express warranties. All implied warranties are disclaimed to the extent allowed by law. Any implied warranty not disclaimed is limited in scope to the terms of this Limited Warranty. Vestil makes no warranty or representation that this product complies with any state or local design, performance, or safety code or standard. Noncompliance with any such code or standard is not a defect in material or workmanship.

